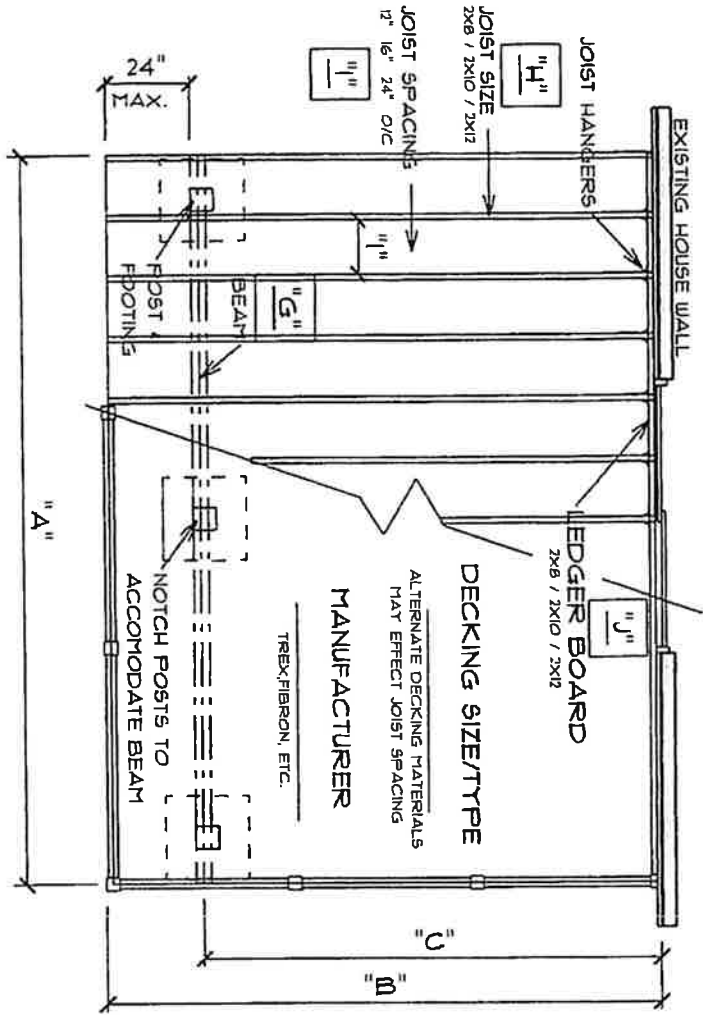


BASIC DECK PLANS / DIMENSIONS AND SPECIFICATIONS

FOR USE WITH RESIDENTIAL DECKS ONLY



PERMIT # _____

DECK DIMENSIONS

"A" = _____ "B" = _____ "C" = _____ "D" = _____

"E" = _____ "F" = _____ "G" = _____ "H" = _____

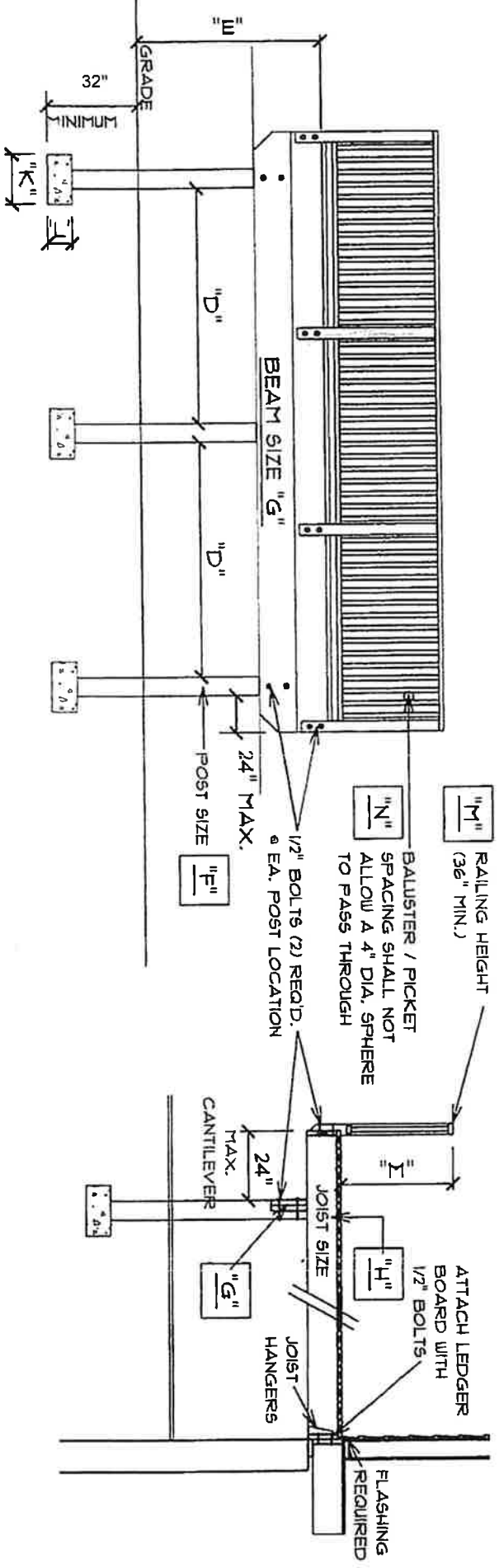
"I" = _____ "J" = _____ "K" = _____ "L" = _____

"M" = _____ "N" = _____

SEE OTHER SIDE FOR STAIRWAY INFORMATION

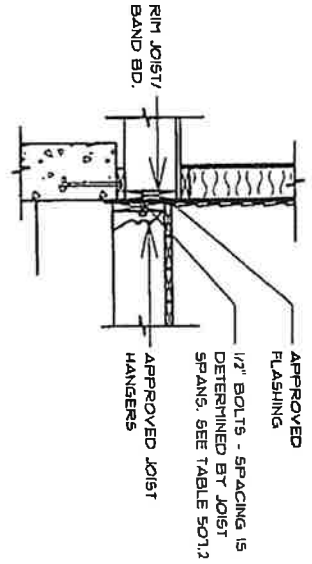
EXISTING HOUSE FLOOR SYSTEM & BAND BOARD IS:

- ____ 2X LUMBER
- ____ WOOD "1" JOISTS
- ____ WOOD TRUSSES

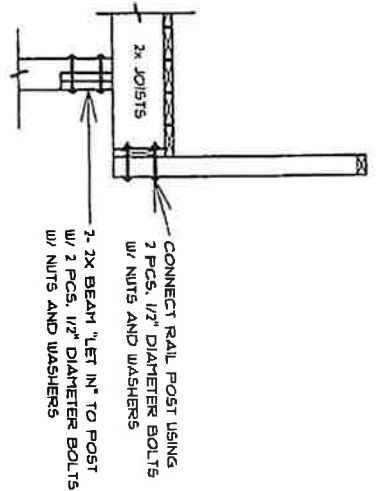


BASIC DECK PLANS / DIMENSIONS AND SPECIFICATIONS

FOR USE WITH RESIDENTIAL DECKS ONLY



DECK LEDGER CONNECTION



BEAM / POST & RAIL POST CONNECTION

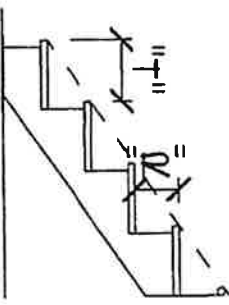
STAIR DIMENSIONS

"O" = _____ (34" MINIMUM)

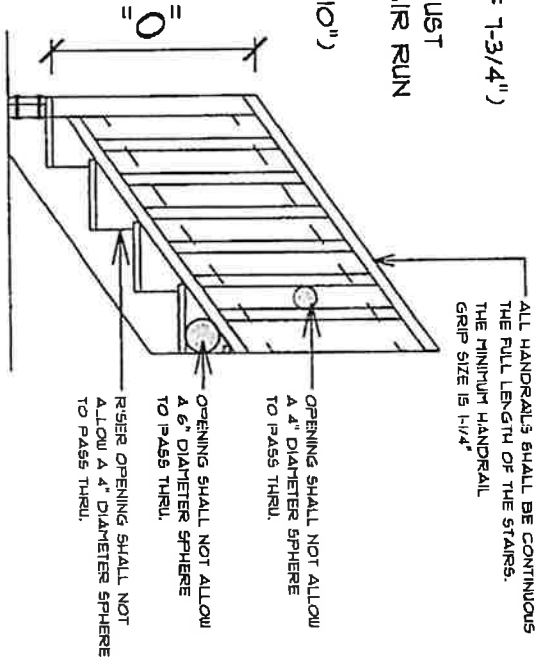
"R" = _____ (MAXIMUM OF 1-3/4")

ALL RISERS MUST BE EQUAL
RISERS @ TOP AND BOTTOM MUST MATCH THE RISERS IN THE STAIR RUN

"T" = _____ (MINIMUM OF 10")
ALL TREADS MUST BE EQUAL



STAIR / RISER DIMENSIONS



STAIR / RAIL DIMENSIONS

NOTE:
FOR ADDITIONAL RESIDENTIAL DECK INFORMATION REFER TO WWW.AWC.ORG. CLICK ON - PRESCRIPTIVE RESIDENTIAL WOOD DECK CONSTRUCTION GUIDE.